

# VAC SNK C MT

## CLUB Tap Range Club Monobloc Sink Mixer Chrome With Metal Heads



### Specification

<b>Product Type:</b>	Kitchen Tap
<b>Main Construction Material:</b>	Brass
<b>Mount Type:</b>	Deck Mounted
<b>Handle Type:</b>	Round Handles
<b>Connection Inlet:</b>	15mm Flexible Tails
<b>Connection Outlet:</b>	M24 Flow Straightener
<b>Number of Tap Holes:</b>	1
<b>Valve/Cartridge Type:</b>	½" Standard Valve
<b>Plumbing System Requirements:</b>	Suitable for all plumbing systems
<b>Minimum Dynamic Pressure:</b>	0.2 Bar
<b>Maximum Dynamic Pressure:</b>	5.0 Bar
<b>Maximum Hot Water Temperature: °C</b>	65
<b>Maximum Static Pressure: (bar)</b>	10
<b>Flow Type:</b>	Single Flow
<b>Check Valve Supplied:</b>	No

### Features:

- Metal fixing nut for added durability
- Supplied with metal handles

### Specify As:

Bristan "VAC SNK C MT" Club Monobloc Sink Mixer with metal heads, 15mm flexible inlet tails and compression valves. Product is WRAS Approved with a 5 year warranty. Manufacturer: Bristan Group Limited. Contact Details: [contractenquiry@bristan.com](mailto:contractenquiry@bristan.com)

### Product Certifications:



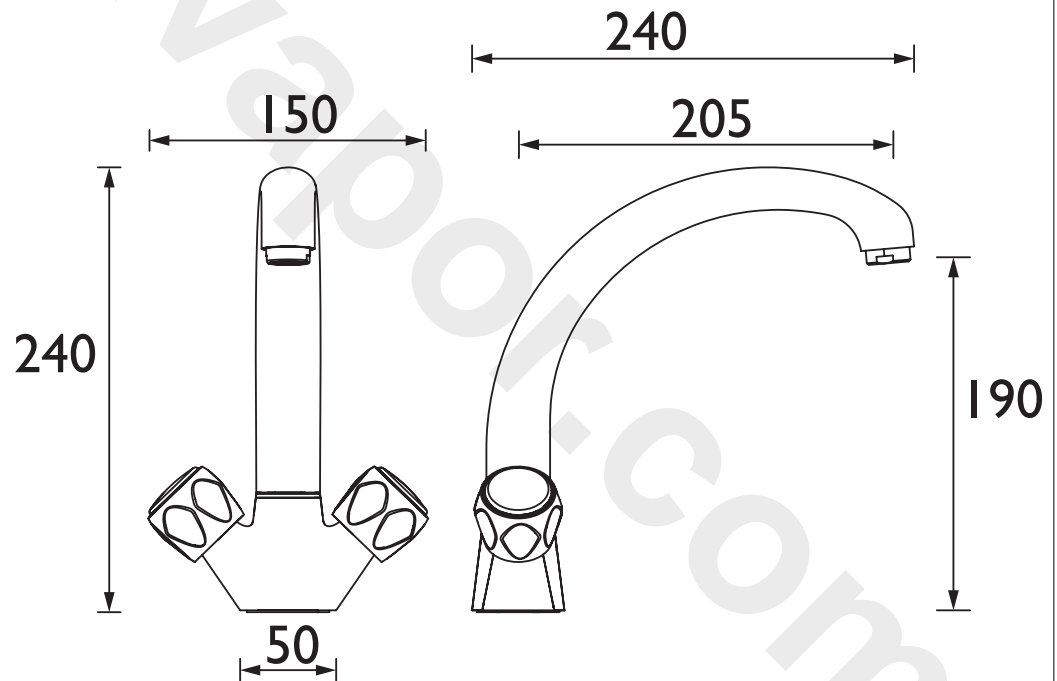
WRAS Cert. Number: 2001913  
WRAS Expiry Date: 31/01/2025



For more products, visit our website:  
<http://www.bristan.com>



### Dimensions (measurements in mm)



### Flow Rates (l/min)

System Pressure (bar)	0.2	0.5	1	2	3	5
VAC SNK C MT	8.2	13.1	19.1	26.3	32.2	41.6

## TECHNICAL DATA SHEET



# BRISTAN

D11